



CBT MULTI-FLEX VALVE CONVERT KIT #80965737

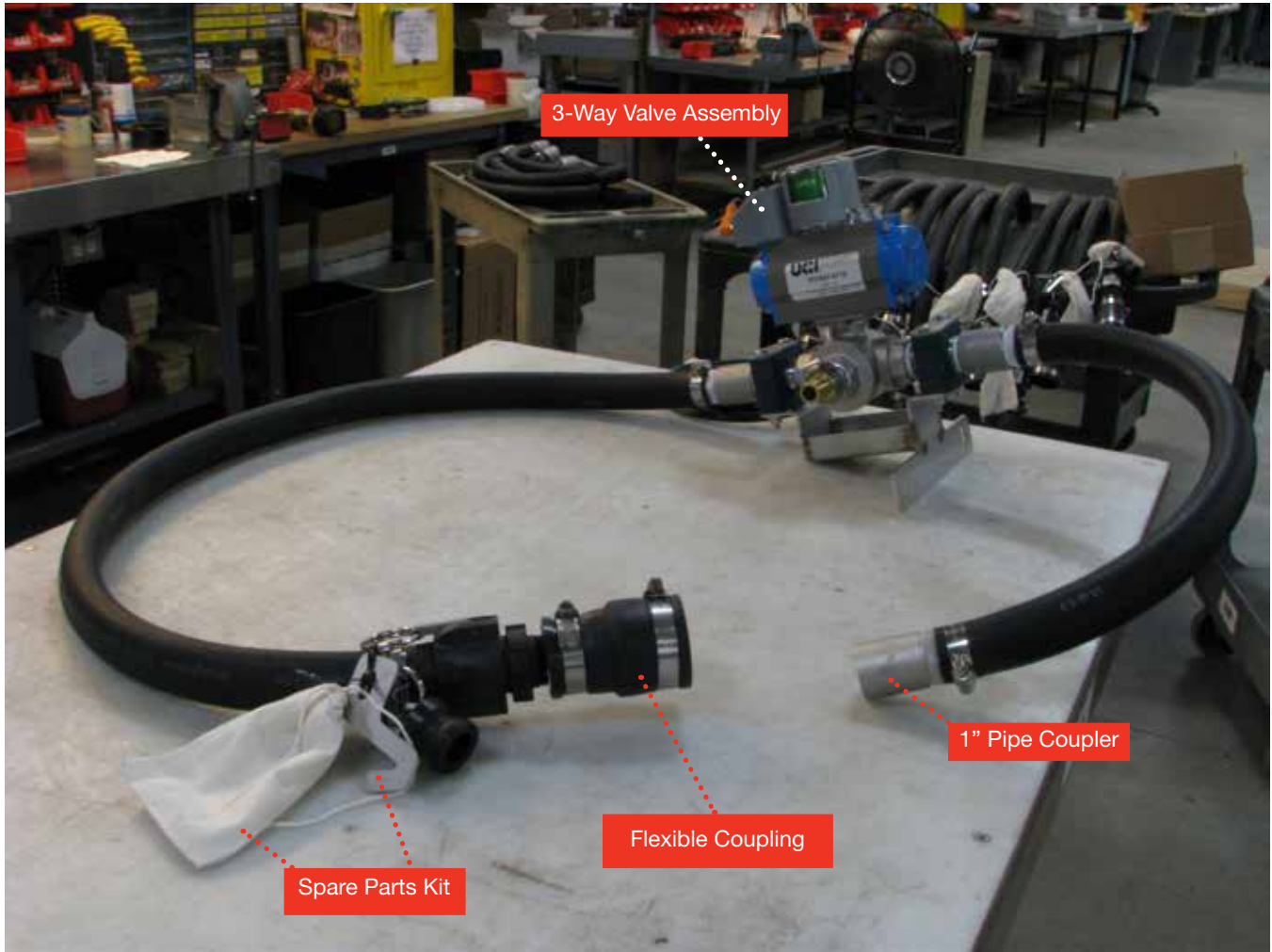


Revision History

rev. level 01_08.29.2012

PART 1

Remove the existing CBT 3-Way Valve Assembly



CBT MULTI-FLEX CONVERT KIT

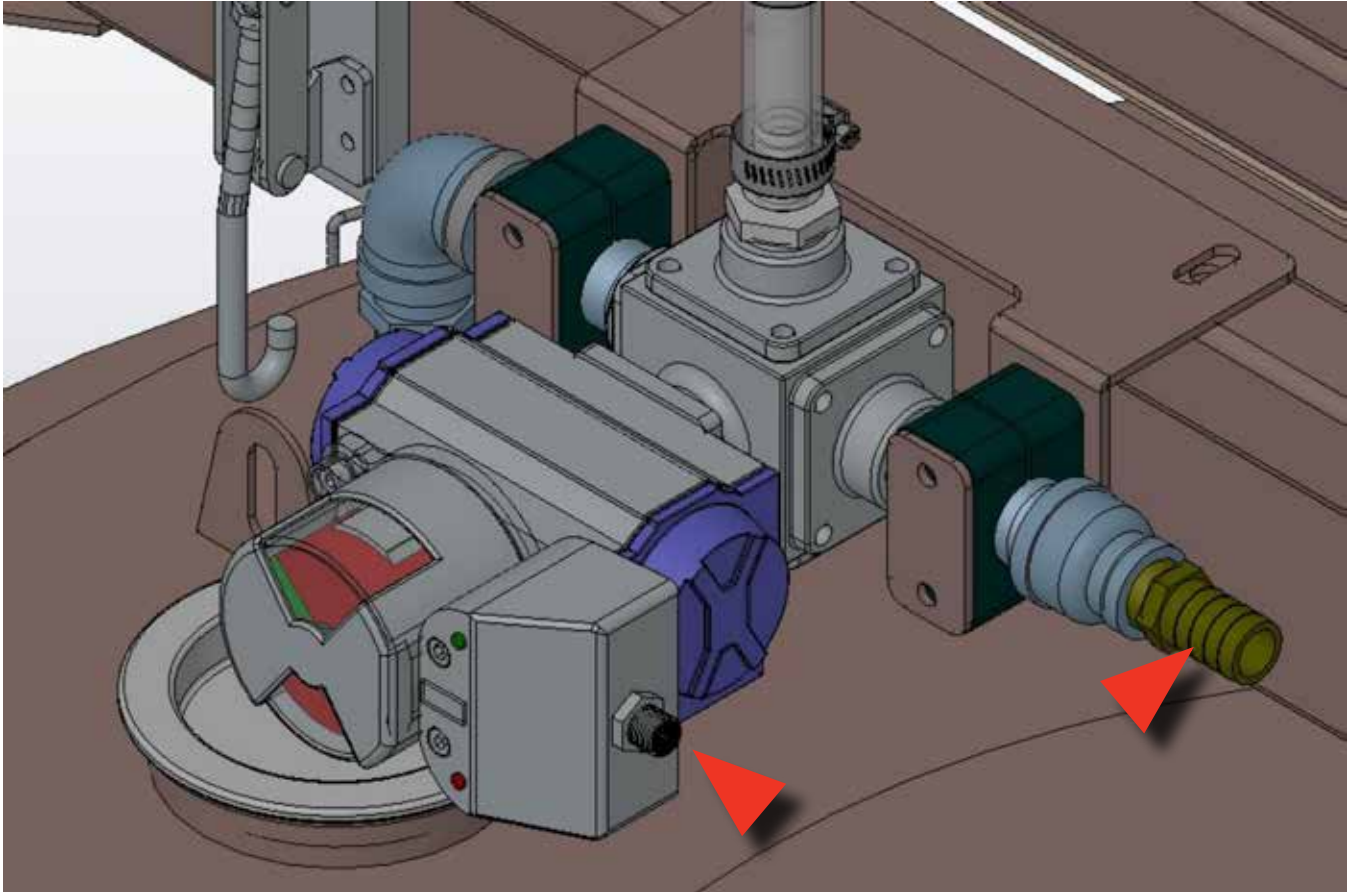
Remove the CBT multi-flex convert Kit from shipping crate. Inspect for damaged or missing parts.

- 3-WAY VALVE ASSEMBLY (1)
- SPARE PARTS KIT (1) - Bolt + Service Hook + Service Plug + 4 Tube Caps



Required assembly tools

- CRESCENT WRENCH (ADJUSTABLE)
- PIPE WRENCH (ADJUSTABLE)
- SLOTTED SCREWDRIVER



RINSE TANK HOSE

Step 1: Ensure all chemical has been drained from the Static Mixer!

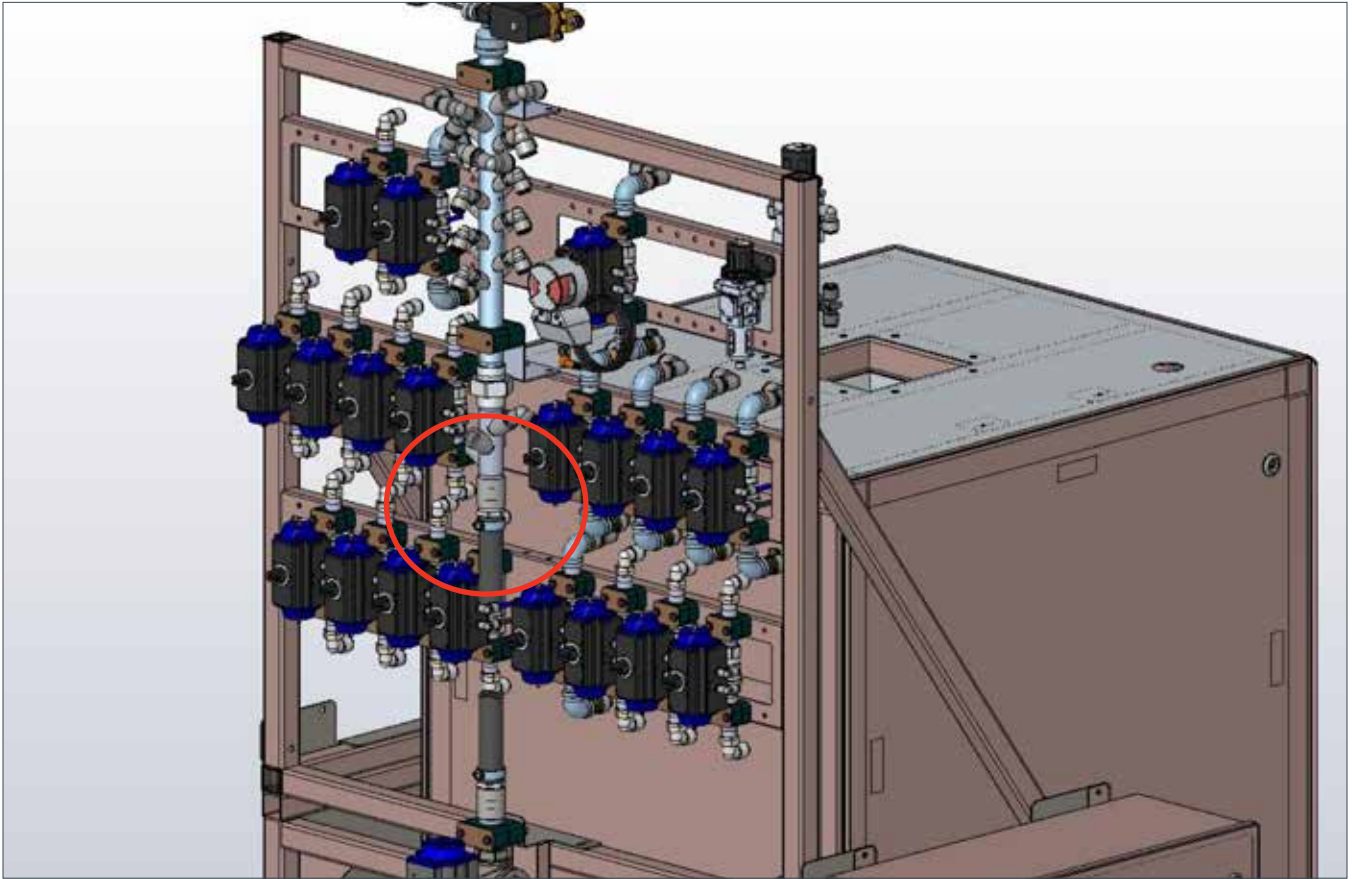
Step 2: Wear proper personal protective clothing when working around chemicals: rubber gloves, goggles and rubber apron.

Step 3: If used, remove the 1" hose from the side of the Valve Assembly.

Step 4: Use a slotted screwdriver to loosen the #16 hose clamp on the end of the 1" hose.

Step 5: Remove the 1" hose from the plastic hose barb on the Valve Assembly. Set aside and re-connect to the replacement Valve Assembly.

Step 6: Remove the Signal Cable from the Valve Assembly.

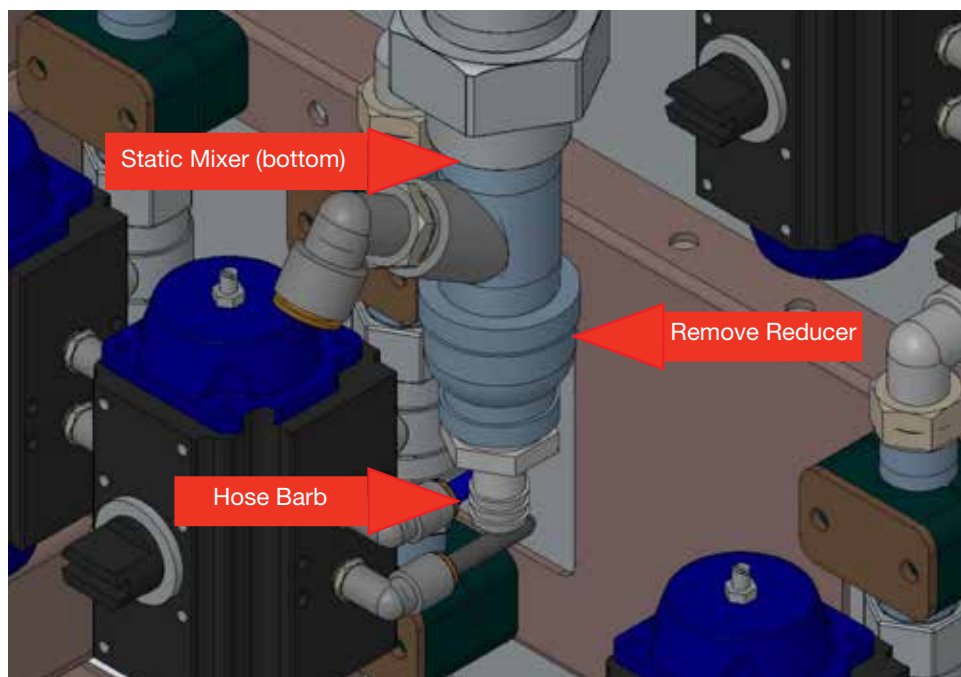


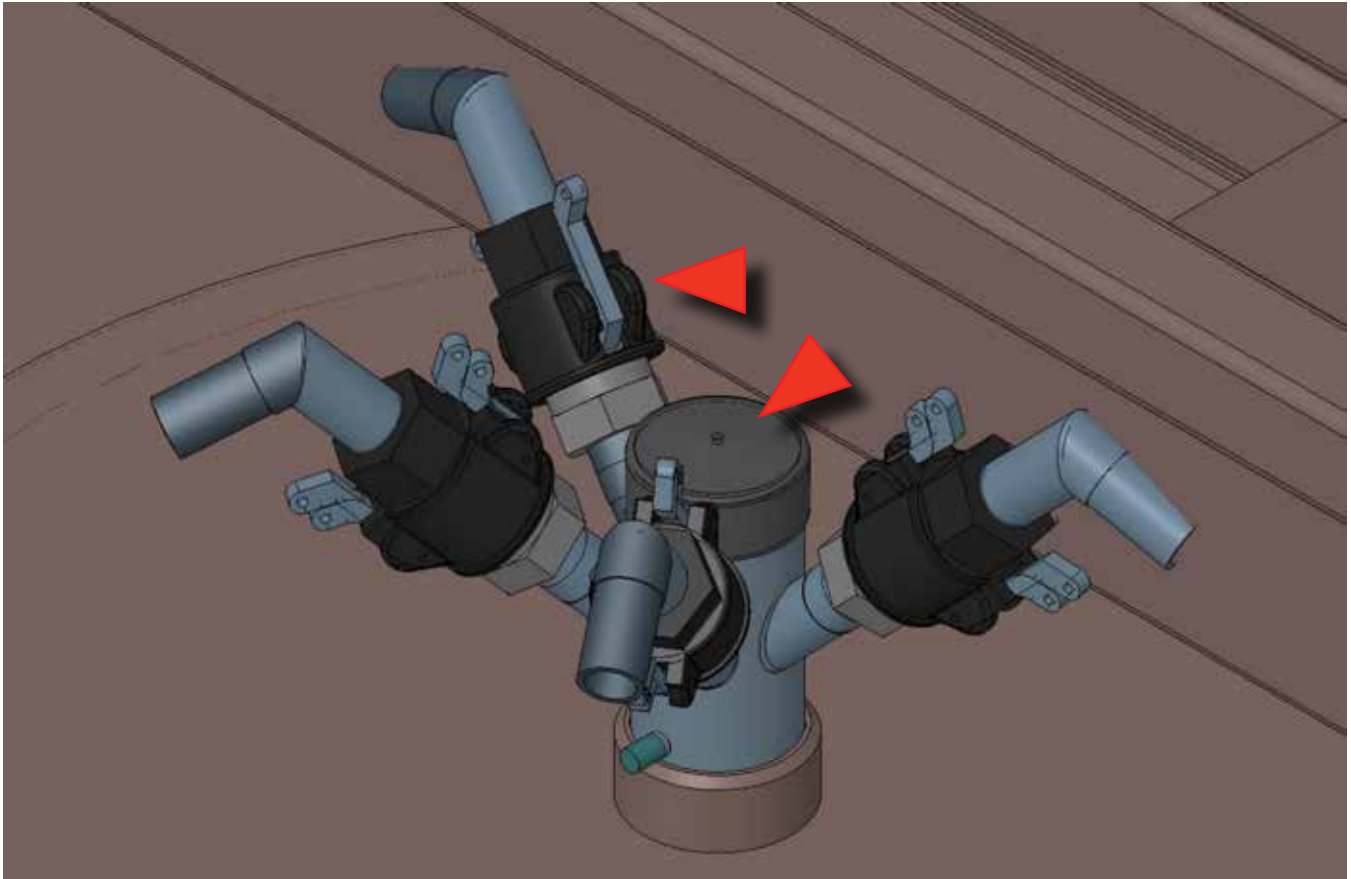
3/4" HOSE TO STATIC MIXER

Step 1: On the existing Static Mixer frame, remove the 3/4" hose from the bottom of the Static Mixer: use a slotted screwdriver to loosen the #16 hose clamp on the end of the hose.

Step 2: Remove the 3/4" hose from the plastic hose barb on the end of the Coupler.

Step 3: Use a pipe wrench to remove the reducer on the end of the Static Mixer.



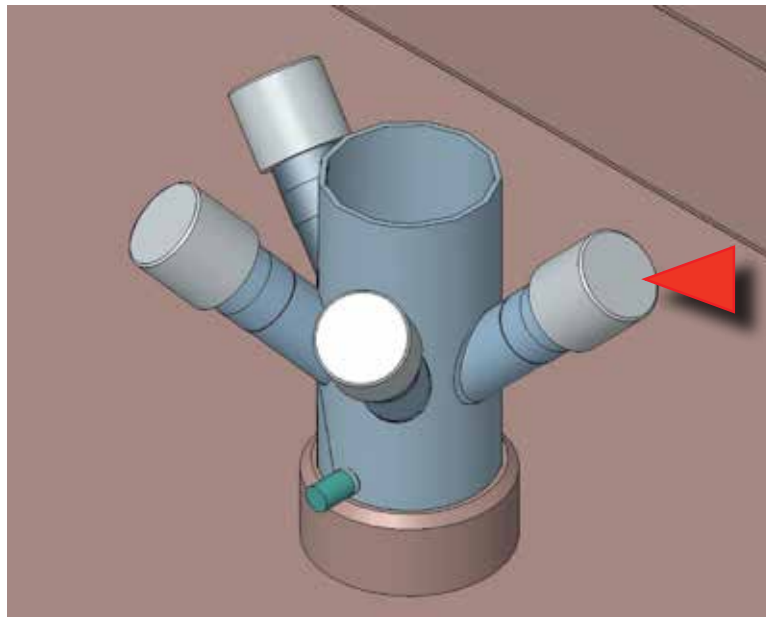


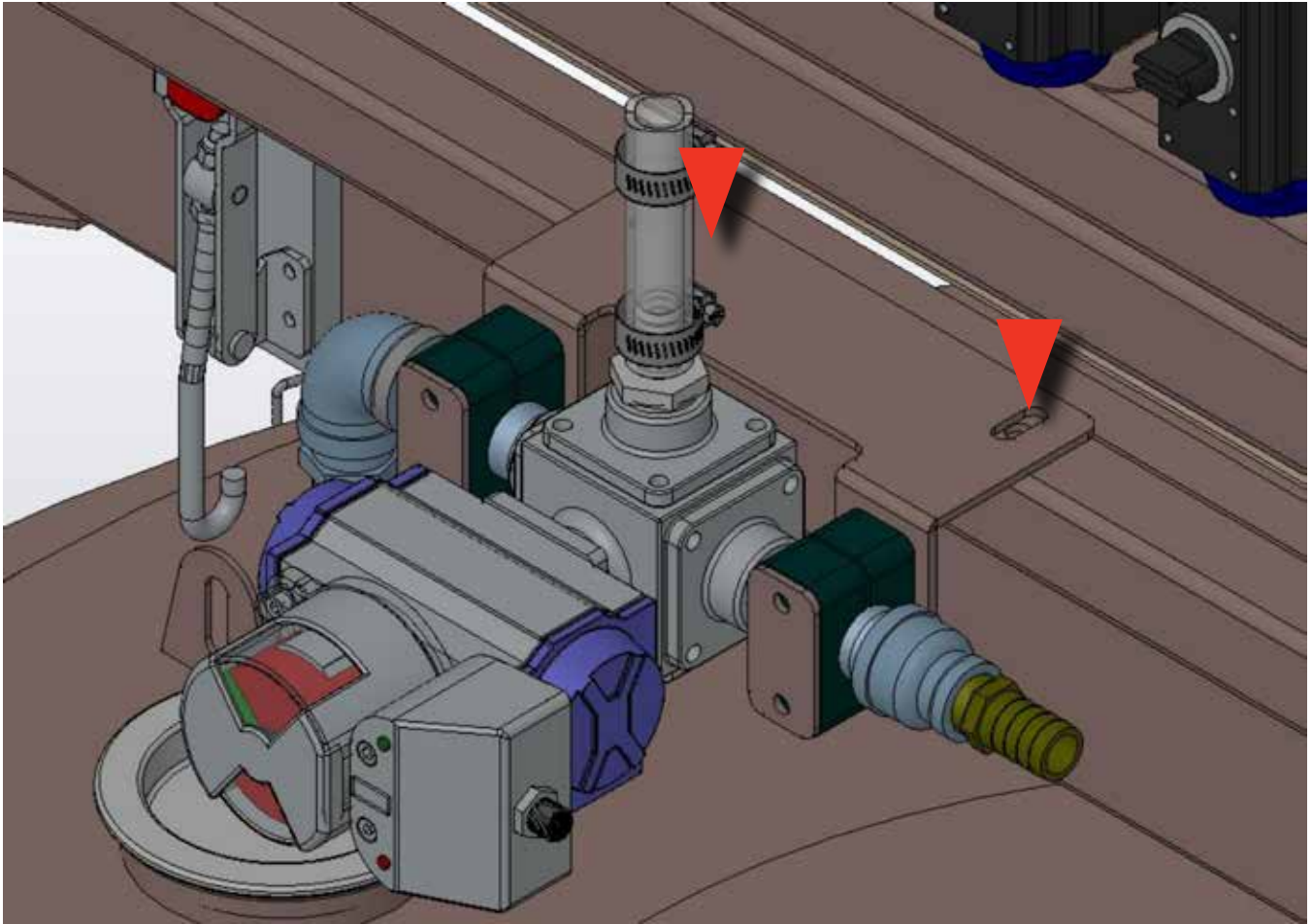
CHEMICAL INLET - QUICK-DISCONNECT COUPLINGS

Step 1: Remove the four Quick Disconnect Couplings from the Chemical Inlet Assembly on top of the Mixing Bowl Cover.

Step 2: Place four Tube Caps onto the four Chemical Inlet Tubes, as shown below.

Step 3: Remove the center Cap Plug as well.



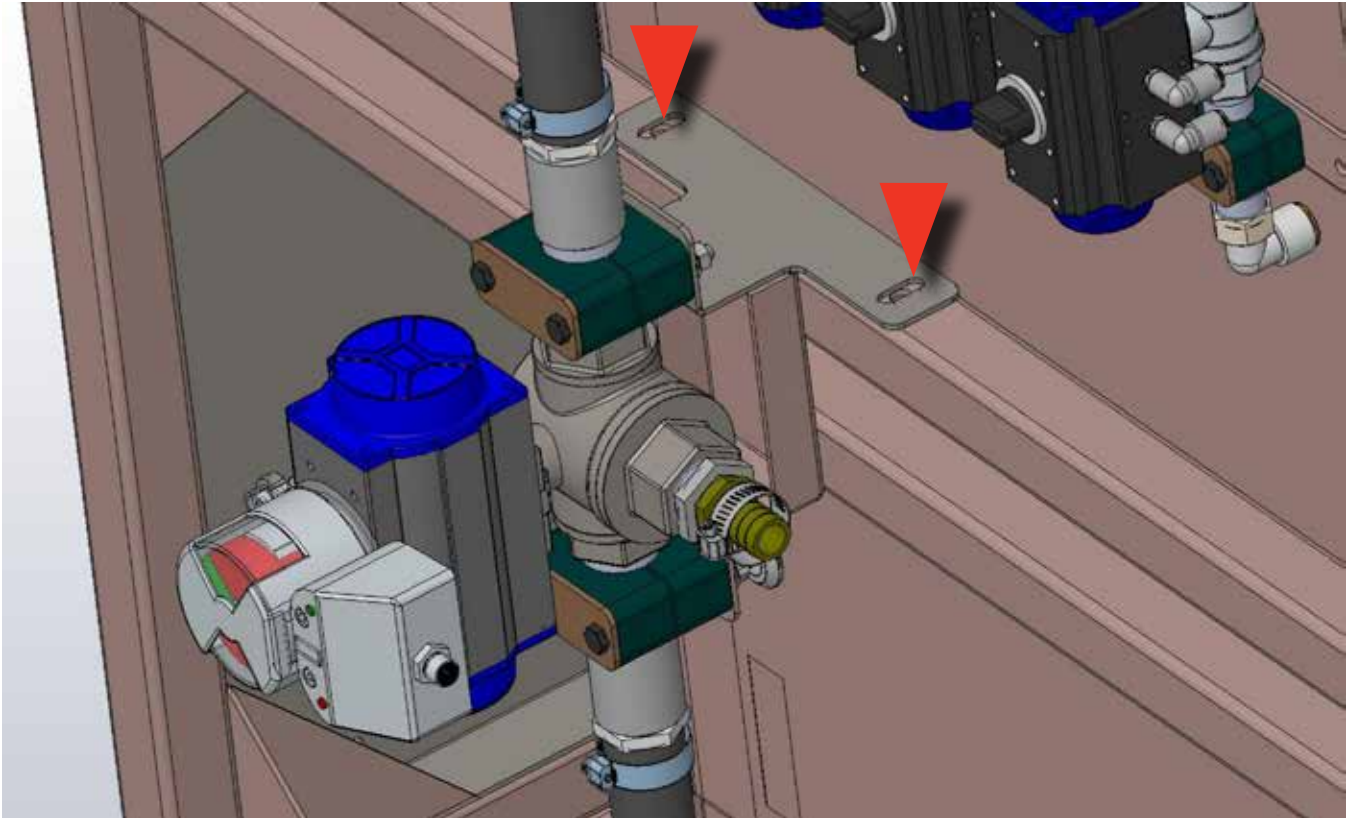


VALVE ASSEMBLY

Step 1: Use a wrench to remove the hardware holding the existing Valve Assembly from the Multi-Flex Frame. Save the hardware and use to attach replacement valve Assembly to the frame.

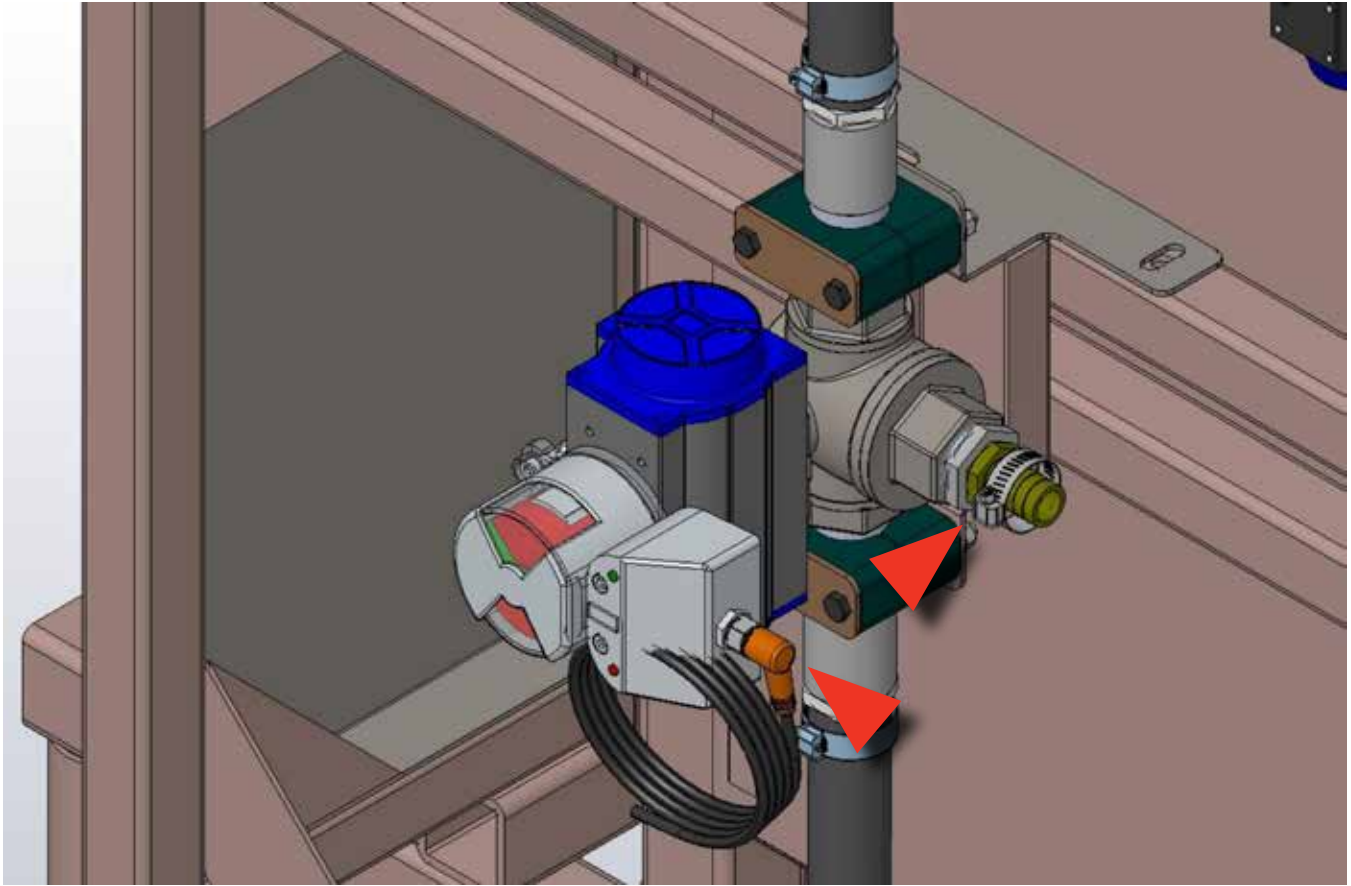
PART 2

Installing the replacement CBT 3-Way Valve Assembly



VALVE ASSEMBLY

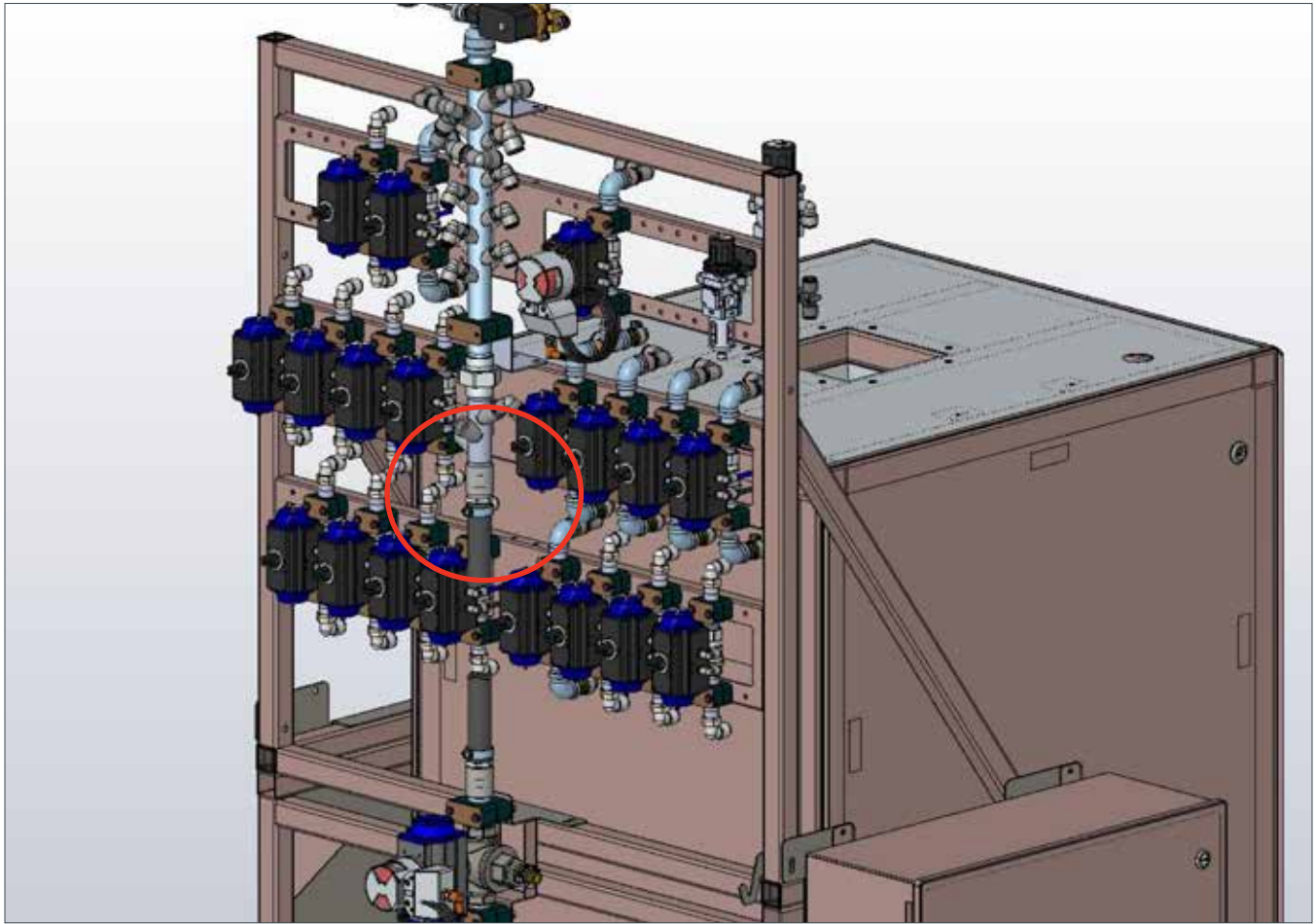
Step 1: Use an adjustable crescent wrench to attach the hardware holding the replacement Valve Assembly to the Multi-Flex Frame. Tighten in place.



RINSE TANK HOSE

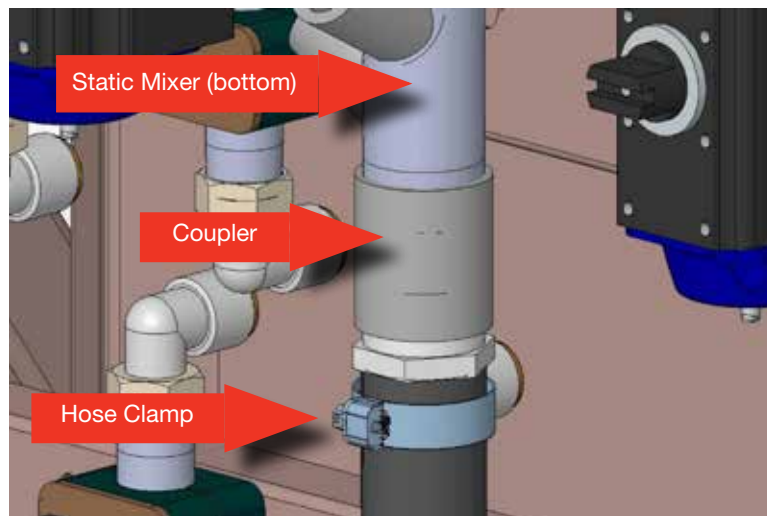
Step 1: If used, attach the 1" hose to the side of the Valve Assembly: use a slotted screwdriver to tighten the #16 hose clamp on the end of the 1" hose.

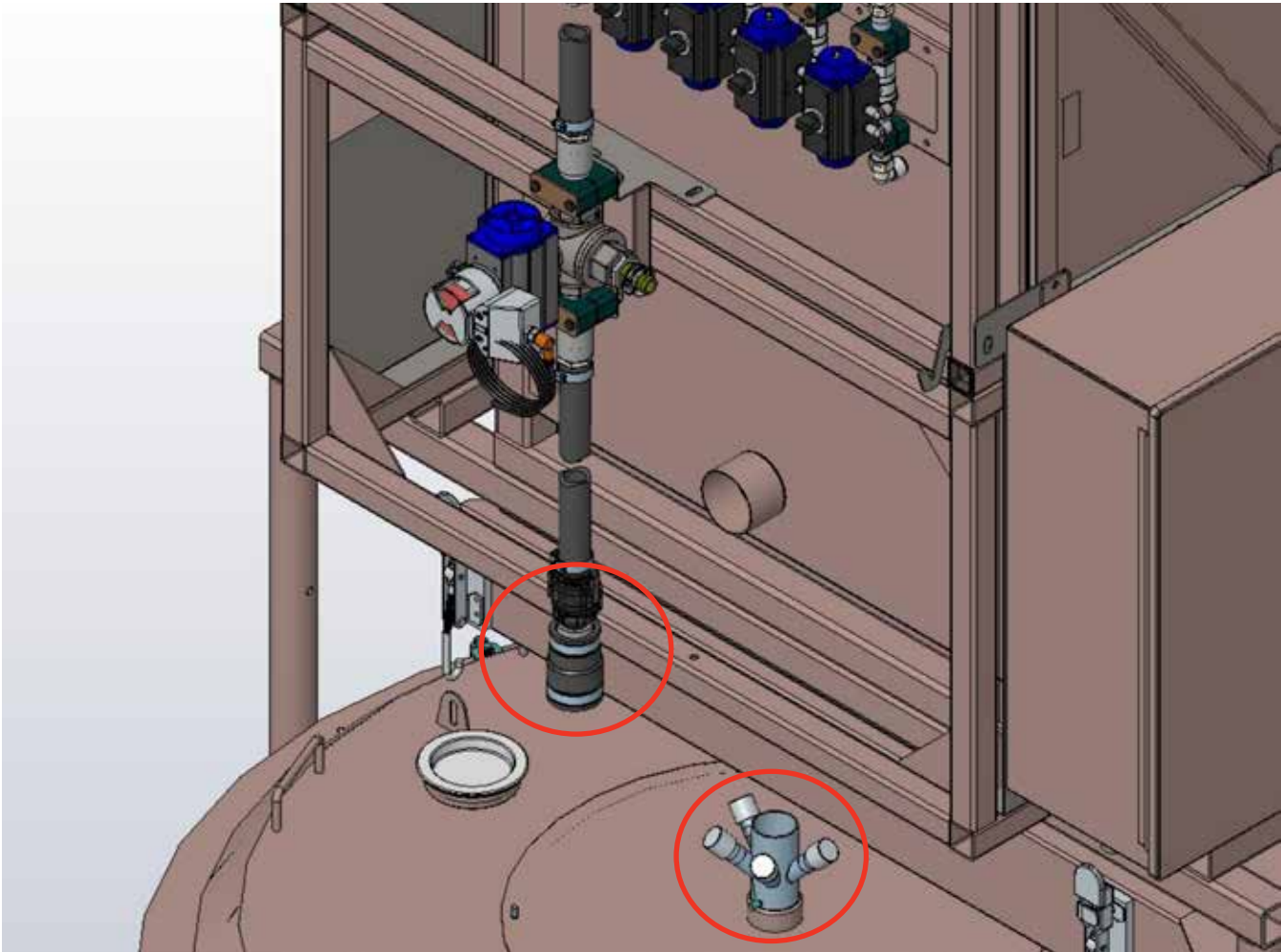
Step 2: Attach the Signal Cable to the Valve Assembly.



1" HOSE TO STATIC MIXER

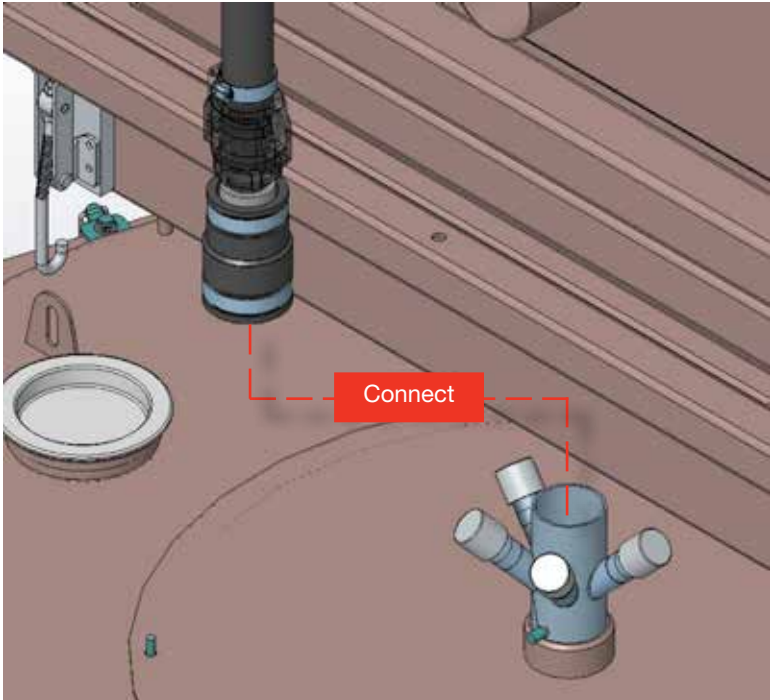
Step 1: On the existing Static Mixer frame, attach the 1" hose to the bottom of the Static Mixer: use a slotted screwdriver to tighten the #16 hose clamp on the end of the 1" hose.

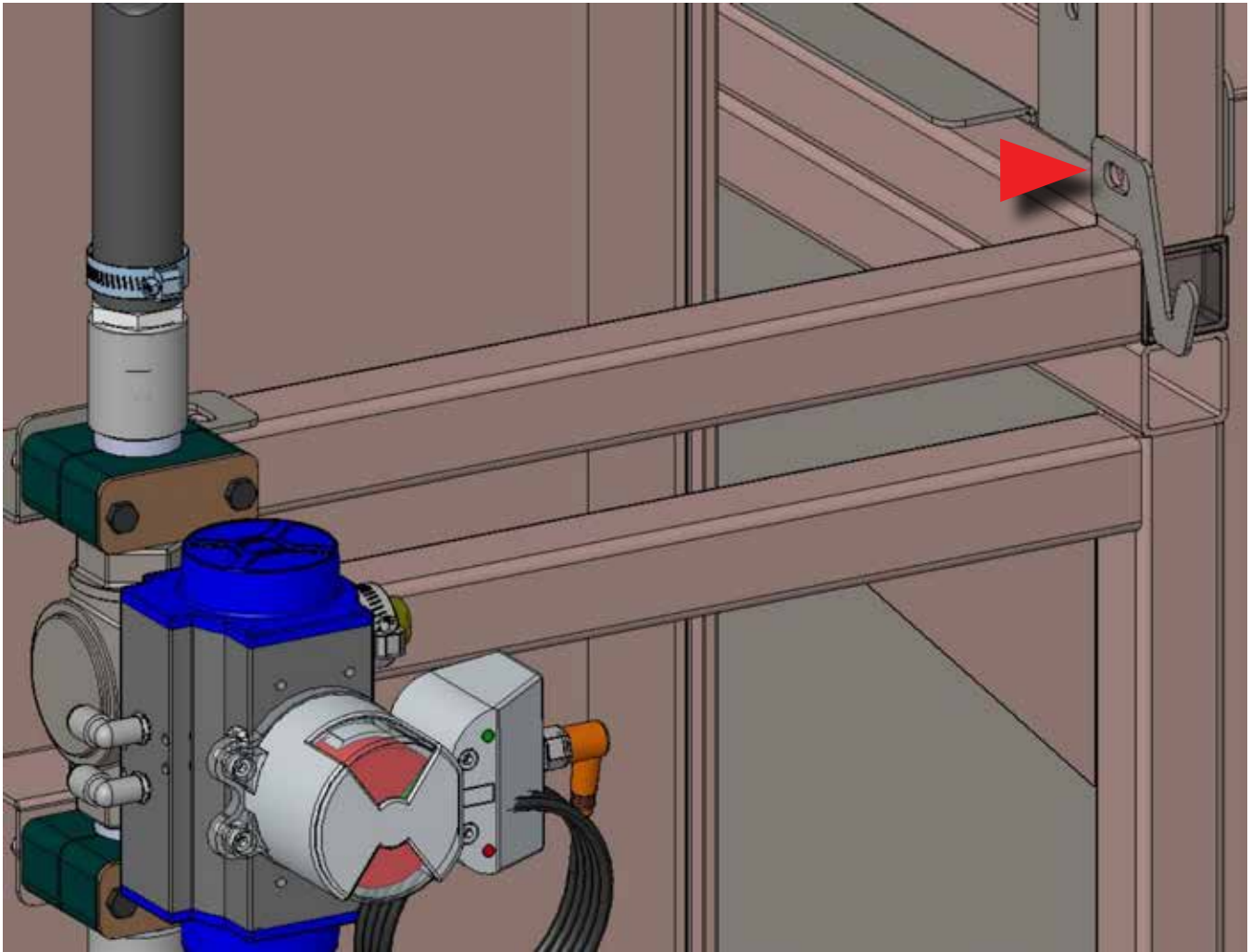




CHEMICAL INLET - FLEXIBLE ADAPTOR COUPLING

Step 1: Connect the Flexible Adaptor Coupling to the Chemical Inlet Assembly on top of the Mixing Bowl Cover: use slotted screwdriver to tighten the hose clamp on the Flexible Adaptor Coupling.





SERVICE HOOK

Step 1: Fasten the Service Hook to the frame, using the hardware provided in the Spare Parts Kit bag. The Service Hook can be used to hang the Quick Disconnect Coupler with Plug inserted when not in use.

This page left blank intentionally



Bayer
Crop Science Division
1451 Dean Lakes Trail
Shakopee,
Minnesota 55379
USA



For fast and easy access to
our website scan the code with
your smartphone and an
appropriate app.

www.seedgrowth.bayer.com