



ROTARY LAB MIXER 60HZ #84094668



This manual contains technical information regarding Bayer SeedGrowth™ Equipment. Please read and understand these instructions completely before proceeding to install and operate the equipment. Bayer reserves the right to change specifications, models, components, or materials at any time without notice. For additional equipment information contact us at 1.800.634.6738. Please have this manual available when contacting Bayer.

This manual uses signal words and symbols to help avoid personal injury. Danger, Warning, and Caution are signal words used to identify the level of hazard.



Danger alerts that an extreme hazard will cause serious injury or death if operators or installers do not follow the recommended precautions.



Warning alerts that a hazard may cause serious injury or death if operators or installers do not follow the recommended precautions.



Caution alerts that a hazard may cause minor or moderate injury if operators or installers do not follow the recommended precautions.



Tip: calls attention to special information.



Note: emphasizes general information worthy of attention.



Example: gives a problem or exercise that illustrates a method or principle.

Always use caution and common sense when working with any chemical. Read the product label and SDS carefully and follow their instructions exactly as described.

Optimal operating conditions for this piece of equipment requires an ambient temperature 32° F to +104° F (0° C to +40° C), relative humidity less than 90% (minimum condensation). Make necessary provisions to protect this piece of equipment against excessive dust, particles containing iron, moisture and against corrosive and explosive gases.

Our technical information is based on extensive testing and is, to the best of our current knowledge, true and accurate but given without warranty as the conditions of use and storage are beyond our control. Variables, such as humidity, temperature, change in seed size or variety and viscosity of chemical products can all affect the accuracy of the chemical application and seed coverage. To ensure the desired

application rate and optimum seed coverage, check the calibration periodically throughout the day, and make adjustments as needed.



Bayer

Crop Science Division
1451 Dean Lakes Trail
Shakopee, Minnesota 55379
USA

Phone: +1 952 445 6868
Toll Free: +1 855 363 3152

E-mail: equipment@bayer.com
Web: www.seedgrowth.bayer.com

EXPOSURE CONTROL

Always use caution and common sense when working with chemicals. Read the product label and SDS carefully and follow their instructions exactly as described. The following Personal Protective Equipment (PPE) recommendations and best practices help promote safe use in seed treatment.



Wear protective clothing

Wear disposable or reusable coveralls with long sleeves.



Hand protection required

Wear chemical-resistant gloves.



Wear rubber boots

Wear chemical resistant rubber boots.



Labels

Label recommendations and directions for handling must be followed, including treatment procedure (use of sticker) as well as the safety requirements.



Treatment products

Keep products in a locked room that has been approved for crop protection products.



Wear a mask

Wear respiratory protection.



Eye protection required

Wear protective eyewear.



Calibration

Seed treatment equipment must be checked and calibrated regularly to ensure accurate and safe application.



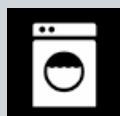
Clean seed

Use well cleaned seed to avoid creation of polluted dust that will contaminate the treating facility, workers, farmers and the environment during sowing.



Cleaning

Use a vacuum to clean machines and coveralls. Never use compressed air.



Laundry

Wash soiled reusable clothing separately. Workers must take a shower after each shift.



Empty containers

Non-returnable empty containers must be triple rinsed before they can be disposed. For others the recommendation of the producer must be followed.



Spillage

Spillage must be avoided; it must be thoroughly cleaned up to avoid contaminating the environment and waterways.

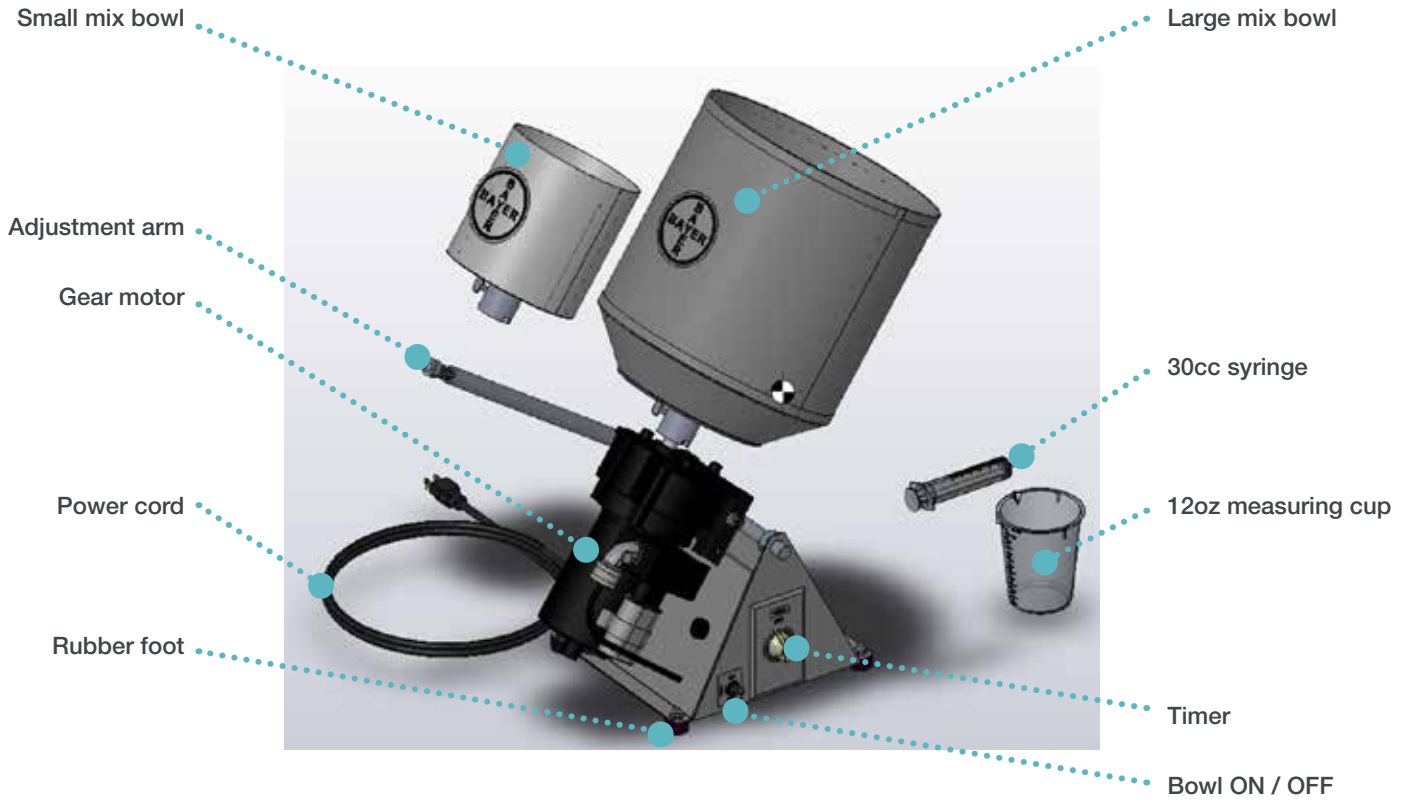


Maintenance

Keep machinery clean between treating sessions.

SYSTEM DIAGRAM

84088730 ROTARY LAB MIXER



EXPLANATORY NOTES

Dry Weight
45.5 LBS [16 KG]

Service Required
115V/1PH/60Hz (motor)

Capacity (large mix bowl):
up to 5lbs

EQUIPMENT INSTALLATION

Unpacking your new Rotary Lab Mixer

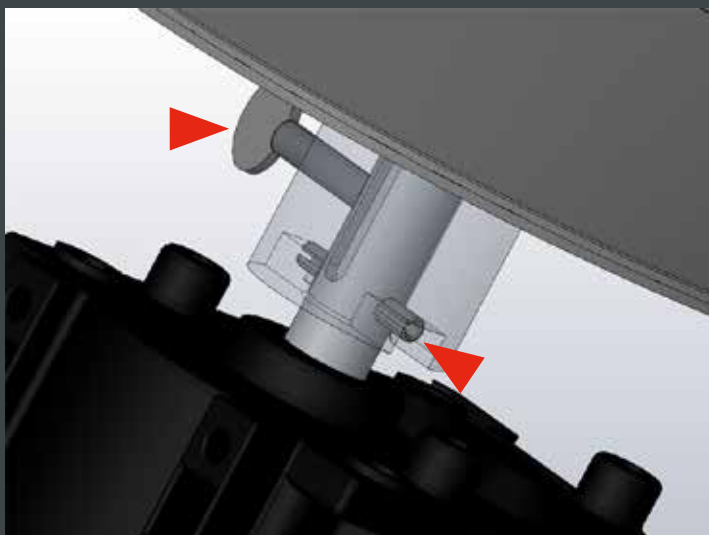
Step 1: Select one of the Mix Bowls (small mix bowl - .25 - .75 pounds; large mix bowl - 1.0 - 5.0 pounds). Connect the Motor Adaptor (attached to the bottom of the Mix Bowl) to the Motor Shaft. The two Roll Pins on the Motor Shaft slip into the notches cut out on the Bowl Motor Drum Adapter. Tighten the Thumb Screw on the side of the Motor Drum Adapter to securely fasten the Mix Bowl in place.



Step 2: Connect the Power cord to an external 115V/60Hz power source.



Step 3: Read the product label to determine the correct application rate.



OPERATION



Warning! Exercise extreme caution when working with chemicals! Refer to the Exposure Control Guide.

Step 1: Weigh a desired amount of seed for treatment based on Mix Bowl size and capacity (refer to page 5).



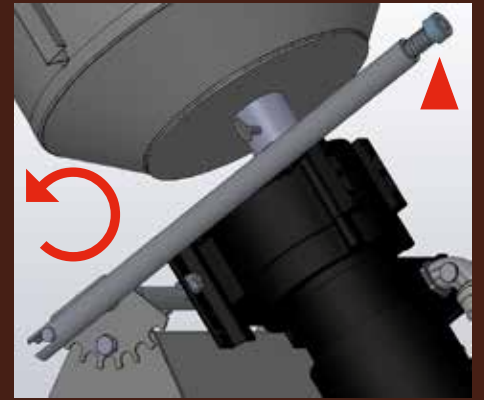
i

Tip: Always use clean seed! This can affect the coverage quality.

Step 2: Fill the Mix Bowl with previously weighed seed.



Step 3: The angle of the Mix Bowl is adjustable for maximum seed area coverage and mixing. Push the Adjustable Arm Button to release the Bowl Locking Pin. Move the Adjustable Arm to the desired position. Release the Arm Button to lock the Bowl in place on the Adjustment Bracket.



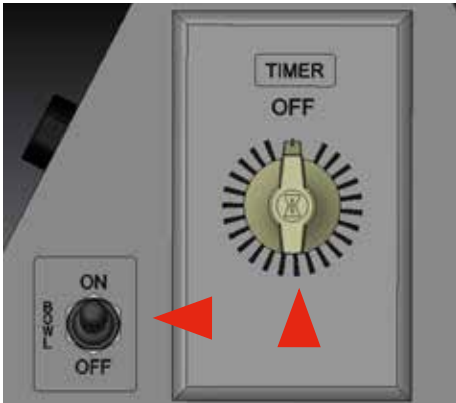
Step 4: Pour treatment product into the 12oz Measuring Cup. Insert the syringe into the Measuring Cup and draw out of it the desired amount.



Note: Refer to the Treatment Product Label on the chemical jug for the regulated application rate. Follow the direction exactly as stated on the label!



Step 5: Set the Timer for 1-1/2 minutes. Turn ON the Bowl ON/OFF Switch.

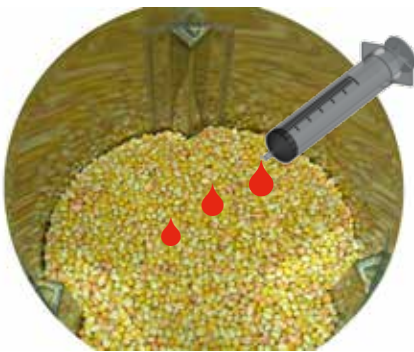


Step 7: Allow the seed to mix with the product until a uniform coverage is achieved.

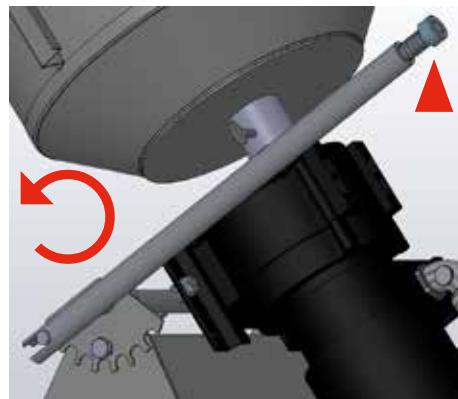
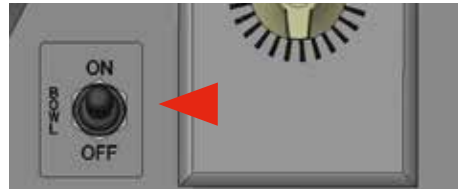


Warning! Keep hands away from rotating mix bowl! Do not wear loose clothing or jewelry.

Step 6: With the syringe held approximately 4-5 inches from the seed in the Mix Bowl, slowly depress the syringe to fully dispense the entire amount of product.

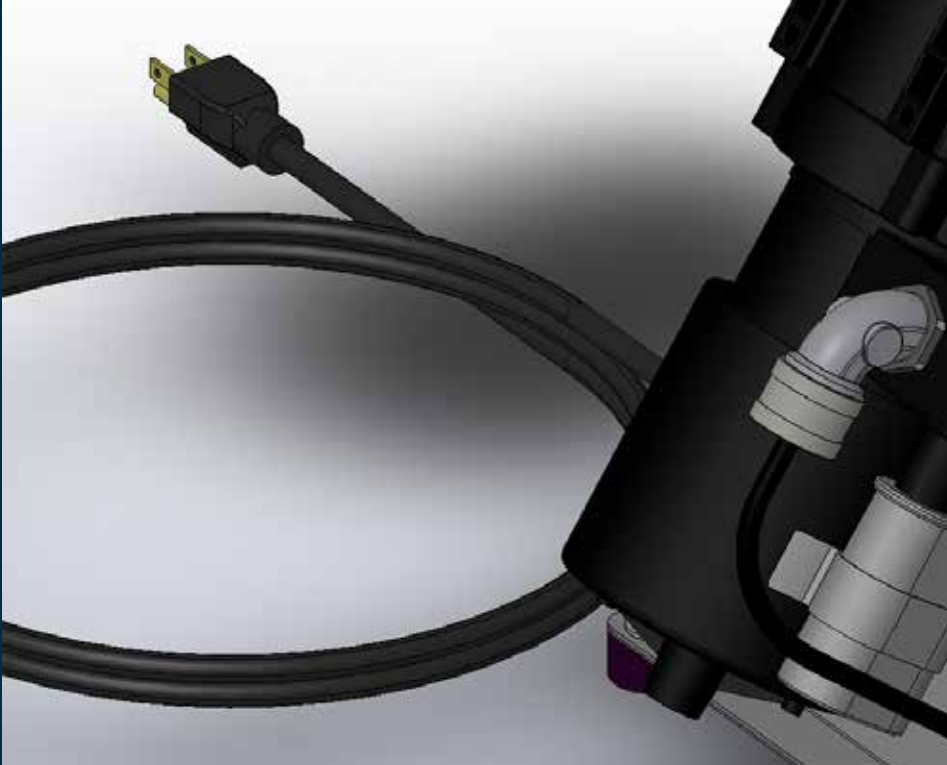


Step 8: Turn the Bowl Switch **OFF**. Release the Adjustable Arm mechanism. Tilt the Mix Bowl to the lowest position. Empty the treated seed out of the Mix Bowl.

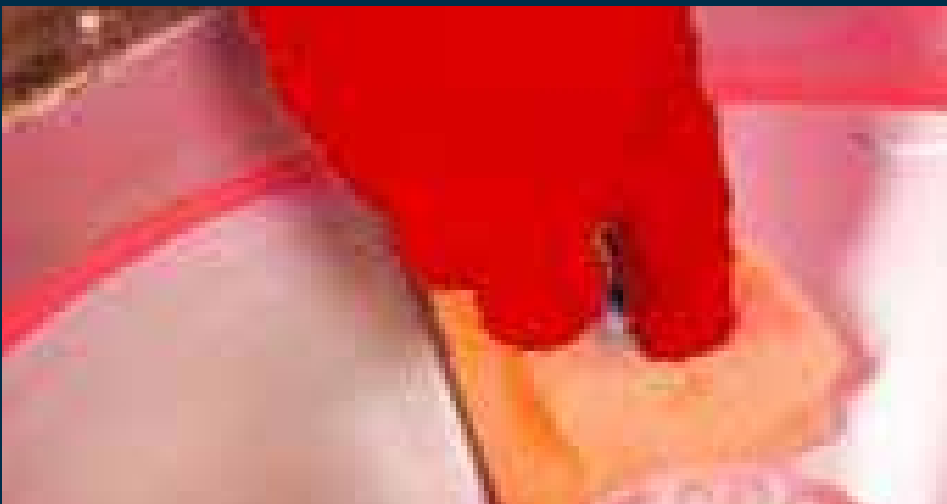


MAINTENANCE

Step 1: Disconnect the Power Cord when not in use.



Step 2: Wash the Bowl out with water and dry thoroughly.



Step 3: Dispose of rags, rinse water and containers responsibly, according to the product label.



RECOMMENDATIONS FOR GOOD SEED TREATMENT APPLICATION

As a seed treatment applicator, you play an important role in helping protect the health of our honey bee population. This guide provides recommendations for responsible stewardship practices and proper seed treatment procedures that can help maximize the benefits to your customers' operations by supporting bee health and ensuring a healthy environment and abundant food supply for future generations.

Live by the label

For your own safety and to protect the environment, we recommend the following precautions:

- Read and understand all product labels prior to application.
- Read and understand your seed treatment equipment operator's manual.
- Keep seed treatment products and treated seed out of reach of children, livestock and wildlife.
- Store seed treatment products and treated seed under appropriate conditions.
- Wear protective clothing and gloves to avoid contact with skin and respiratory tract during seed treatment application and equipment cleaning. Refer to product label and SDS for required PPE.

Storage & Disposal

After seed treatment is completed, review this checklist:

- Ensure that any leftover product is returned to the original containers and properly stored for future use.
- Do not reuse empty seed treatment product containers for any other purposes.
- Dispose of empty containers according to local and state regulations and container return policies. Offer empty containers for recycling if permitted.
- Return empty returnable containers to the manufacturer promptly.
- Dispose of contaminated seed treatment wastes according to local and state regulations.





Bayer
Crop Science Division
1451 Dean Lakes Trail
Shakopee,
Minnesota 55379
USA



For fast and easy access to
our website scan the code with
your smartphone and an
appropriate app.

www.seedgrowth.bayer.com